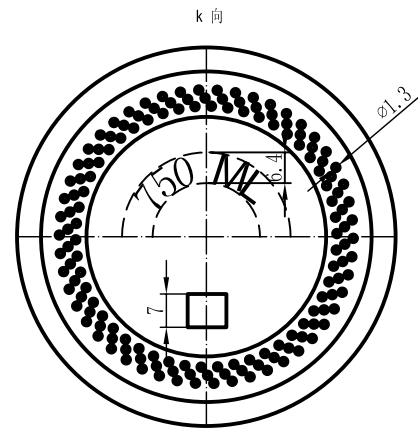


Type:
SPIRIT



The SEATTLE

U.S. Patent # D652721

Fill Point Capacity: 750ml

Brimful Capacity: 780ml +/- 10ml

Weight: 850g +/- 20g

Height: 324.1 +/- 1.5

Max Diameter: 78.9 +/- 2

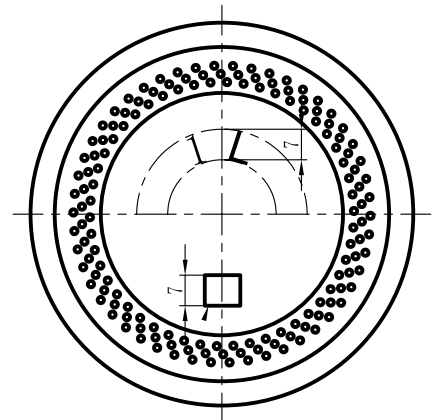
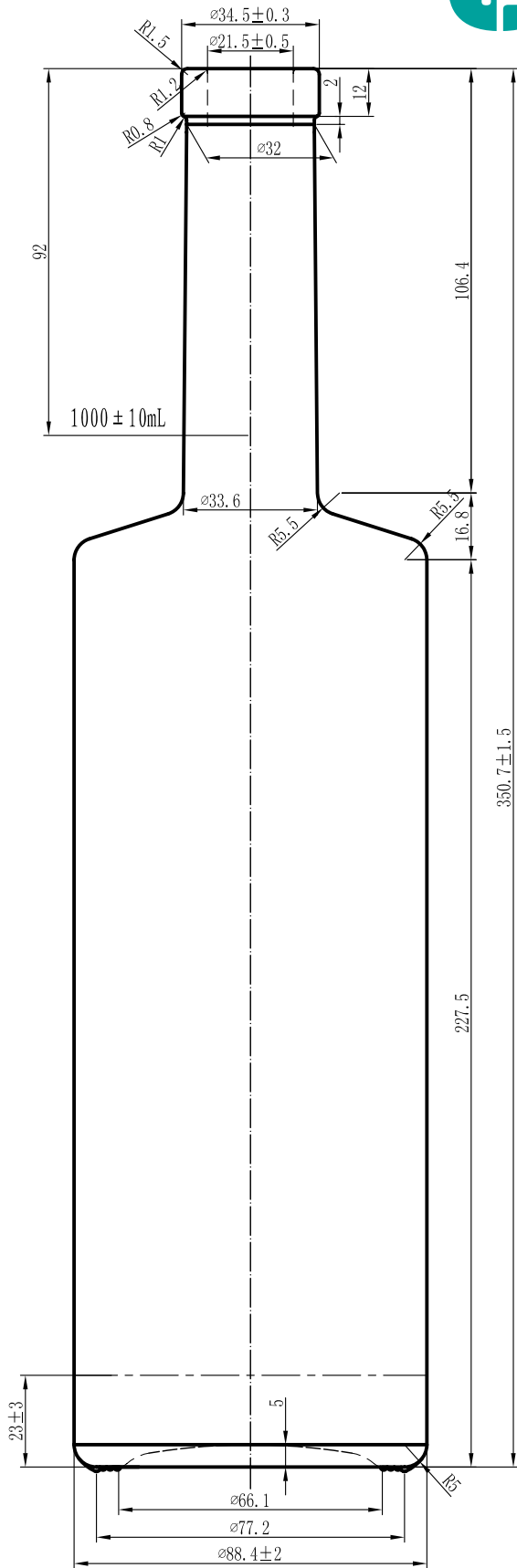
Finish: BT (VS)

Mold#: GCU-31

VERSION 2	Weight change	Nov,19,2013



UNIVERSAL
PACKAGING
START TO FINISH PACKAGING



The SEATTLE 1L

Fill Point Capacity: 1000ml

Brimful Capacity: 1050ml +/- 15

Weight: 1150g + 80/-25g

Height: 350.7 +/- 1.5

Diameter: 88.4

Finish: BT (VS)

Mold#: GCU-31D

Type:
SPIRIT

VERSION 1	April 24, 2012